



BUILDING CODE COMPLIANCE OFFICE (BCCO)  
PRODUCT CONTROL DIVISION

MIAMI-DADE COUNTY, FLORIDA  
METRO-DADE FLAGLER BUILDING  
140 WEST FLAGLER STREET, SUITE 1603  
MIAMI, FLORIDA 33130-1563  
(305) 375-2902 FAX (305) 372-6339

**NOTICE OF ACCEPTANCE (NOA)**

[www.maimidade.gov/buildingcode](http://www.maimidade.gov/buildingcode)

**Sol-A-Trol Aluminum Products**  
4101 NW 132<sup>nd</sup> Street  
Opa Locka, FL 33054

**SCOPE:**

This NOA is being issued under the applicable rules and regulations governing the use of construction materials. The documentation submitted has been reviewed by Miami-Dade County Product Control Division and accepted by the Board of Rules and Appeals (BORA) to be used in Miami-Dade County and other areas where allowed by the Authority Having Jurisdiction (AHJ).

This NOA shall not be valid after the expiration date stated below. The Miami-Dade County Product Control Division (In Miami-Dade County) and/or the AHJ (in areas other than Miami-Dade County) reserve the right to have this product or material tested for quality assurance purposes. If this product or material fails to perform in the accepted manner, the manufacturer will incur the expense of such testing and the AHJ may immediately revoke, modify, or suspend the use of such product or material within their jurisdiction. BORA reserves the right to revoke this acceptance, if it is determined by Miami-Dade County Product Control Division that this product or material fails to meet the requirements of the applicable building code.

This product is approved as described herein, and has been designed to comply with the Florida Building Code, including the High Velocity Hurricane Zone.

**DESCRIPTION: Series "3000/ 3062" Aluminum Projected-Out Window – L.M.I.**

**APPROVAL DOCUMENT:** Drawing No. **W08-72**, titled "Series S-3000/ 3062 Alum. Projected Wdw. (L.M.I.)" Sheets 1 thru 11 of 11, prepared by Al-Farooq Corporation, dated 08/01/08 with revision "A" dated 06/12/09, signed and sealed by Arshad Viqar, P. E., bearing the Miami-Dade County Product Control Revision stamp with the Notice of Acceptance number and expiration date by the Miami-Dade County Product Control Division.

**MISSILE IMPACT RATING: Large and Small Missile Impact Resistant**

**LABELING:** Each unit shall bear a permanent label with the manufacturer's name or logo, city, state and following statement: "Miami-Dade County Product Control Approved", unless otherwise noted herein.

**RENEWAL** of this NOA shall be considered after a renewal application has been filed and there has been no change in the applicable building code negatively affecting the performance of this product.

**TERMINATION** of this NOA will occur after the expiration date or if there has been a revision or change in the materials, use, and/or manufacture of the product or process. Misuse of this NOA as an endorsement of any product, for sales, advertising or any other purposes shall automatically terminate this NOA. Failure to comply with any section of this NOA shall be cause for termination and removal of NOA.

**ADVERTISEMENT:** The NOA number preceded by the words Miami-Dade County, Florida, and followed by the expiration date may be displayed in advertising literature. If any portion of the NOA is displayed, then it shall be done in its entirety.

**INSPECTION:** A copy of this entire NOA shall be provided to the user by the manufacturer or its distributors and shall be available for inspection at the job site at the request of the Building Official.

This NOA **revises and renews** NOA # **08-0624.02** and consists of this page 1 and evidence pages E-1, E-2 and E-3, as well as approval document mentioned above.

The submitted documentation was reviewed by **Jaime D. Gascon, P. E.**



*J. Gascon*  
*6/17/09*

NOA No. 09-0518.06  
Expiration Date: June 22, 2013  
Approval Date: July 08, 2009  
Page 1

Sol-A-Trol Aluminum Products

NOTICE OF ACCEPTANCE: EVIDENCE SUBMITTED

**A. DRAWINGS**

1. Manufacturer's die drawings and sections.
2. Drawing No **W08-72**, titled "Series S-3000/ 3062 Alum. Projected Wdw. (L.M.I.)" Sheets 1 thru 11 of 11, prepared by Al-Farooq Corporation, dated 08/01/08 with revision "A" dated 06/12/09, signed and sealed by Arshad Viqar, P. E.

**B. TESTS**

1. Test reports on: 1) Air Infiltration Test, per FBC, TAS 202-94  
2) Uniform Static Air Pressure Test, Loading per FBC, TAS 202-94  
3) Water Resistance Test, per FBC, TAS 202-94  
4) Forced Entry Test, per FBC, TAS 202-94

Along with marked-up drawings and installation diagram of an alum. projected window, prepared by Hurricane Engineering & Testing, Inc., Test Report No.'s **HETI-08-2089A, HETI-08-2081, HETI-07-4388, HETI-07-4389, HETI-08-2234, HETI-08-2205A and HETI-08-2153A**, dated 02/20/08, 07/25/08, 11/10/08 and 12/30/08, signed and sealed by Candido F. Font, P. E.

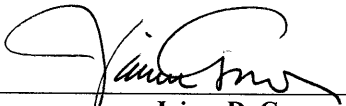
2. Test reports on: 1) Large Missile Impact Test per FBC, TAS 201-94  
2) Cyclic Wind Pressure Loading per FBC, TAS 203-94

Along with marked-up drawings and installation diagram of alum. projected window, prepared by Hurricane Engineering & Testing, Inc., Test Report No.'s **HETI-08-2089B, HETI-07-4387, HETI-08-2085, HETI-07-4397, HETI-07-4396, HETI-08-2233, HETI-08-2205B, HETI-08-2206, HETI-08-2207 and HETI-08-2153B**, dated 02/20/08, 07/25/08, 11/10/08 and 12/30/08, signed and sealed by Candido F. Font, P. E.

3. Test reports on: 1) Air Infiltration Test, per PA 202-94  
2) Uniform Static Air Pressure Test, Loading per PA 202-94  
3) Water Resistance Test, per PA 202-94  
4) Large Missile Impact Test per PA 201-94  
5) Cyclic Wind Pressure Loading per FB PA 203-94  
6) Forced Entry Test, per PA 202-94

Along with marked-up drawings and installation diagram of an alum projected window, prepared by Fenestration Testing Laboratory, Inc., Test Report No. **FTL-2390**, dated 08/13/99, signed and sealed by Jose D. Mitrani, P. E.

*(Submitted under previous NOA # 00-0320.06)*



Jaime D. Gascon, P. E.  
Chief, Product Control Division  
NOA No. 09-0518.06  
Expiration Date: June 22, 2013  
Approval Date: July 08, 2009

Sol-A-Trol Aluminum Products

NOTICE OF ACCEPTANCE: EVIDENCE SUBMITTED

**C. CALCULATIONS**

1. Anchor verification calculations and structural analysis, complying with FBC-2007, prepared by Al-Farooq Corporation, dated 05/12/09, signed and sealed by Arshad Viqar, P. E.

**Complies with ASTM E1300-02/ 04**

**D. QUALITY ASSURANCE**

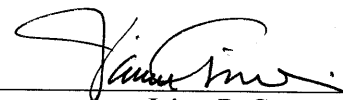
1. Miami-Dade Building Code Compliance Office (BCCO).

**E. MATERIAL CERTIFICATIONS**

1. Notice of Acceptance No. **09-0312.03** revises **07-1116.04** issued to E.I. DuPont DeNemours & Co., Inc. for their "**DuPont Sentry Glass ®**" dated 04/15/09, expiring on 01/14/12.
2. Notice of Acceptance No. **09-0312.02** revises **05-1208.02** issued to E.I. DuPont DeNemours & Co., Inc. for their "**DuPont Butacite® PVB**" dated 04/15/09, expiring on 12/11/10.
3. Notice of Acceptance No. **08-0206.01** issued to Solutia Inc. for their "**Saflex HP Glass Interlayer**" dated 04/17/2008, expiring on 04/17/2013.
4. Notice of Acceptance No. **08-0520.08** issued to Solutia Inc. for their "**Vanceva Composites Glass Interlayer**" dated 7/17/2008, expiring on 12/11/2013.

**F. STATEMENTS**

1. Statement letter of conformance, prepared by Al-Farooq Corporation, dated May 12, 2009, signed and sealed by Arshad Viqar, P. E.
2. Statement letter of no financial interest, prepared by Al-Farooq Corporation, dated May 12, 2009, signed and sealed by Arshad Viqar, P. E.
3. Statement letter of change, prepared by Al-Farooq Corporation, dated May 12, 2009, signed and sealed by Arshad Viqar, P. E.
4. Laboratory compliance letters for Test Report No.'s **HETI-08-2089A, HETI-08-2081, HETI-07-4388, HETI-07-4389, HETI-08-2234, HETI-08-2153A, HETI-08-2089B, HETI-07-4387, HETI-08-2085, HETI-07-4397, HETI-07-4396, HETI-08-2233, HETI-08-2205B, HETI-08-2206, HETI-08-2207, HETI-08-2205A** and **HETI-08-2153B**, issued by Hurricane Engineering & Testing, Inc., dated 02/20/08, 07/25/08, 11/10/08 and 12/30/08, signed and sealed by Candido F. Font, P. E.
5. Laboratory addendum letter for Test Report No. **HETI-08-2089A**, issued by Hurricane Engineering & Testing, Inc., dated 07/25/08, signed and sealed by Candido F. Font, P. E.



Jaime D. Gascon, P. E.  
Chief, Product Control Division  
NOA No. 09-0518.06  
Expiration Date: June 22, 2013  
Approval Date: July 08, 2009

Sol-A-Trol Aluminum Products

NOTICE OF ACCEPTANCE: EVIDENCE SUBMITTED

**F. STATEMENTS (CONTINUED)**

6. Laboratory compliance letter for Test Report No. **FTL-2390**, issued by Fenestration Testing Laboratory, Inc., dated August 18, 1999, signed and sealed by Jose D. Mitrani, P. E.

*(Submitted under previous NOA # 00-0320.06)*

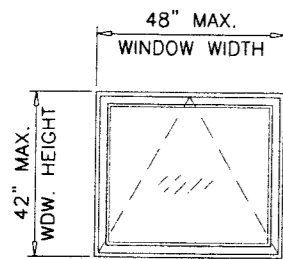
**G. OTHERS**

1. Notice of Acceptance No. **08-0624.02**, issued to Sol A-Trol Aluminum Products for their Series "**3062**" **Aluminum Projected-Out Window-L.M.I.**", approved on 07/31/08 and expiring on 06/22/09.

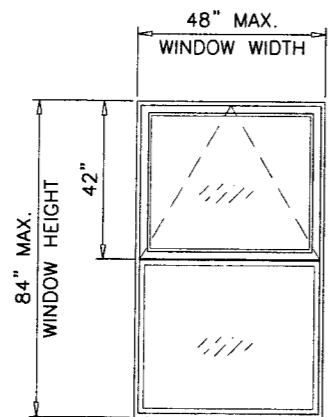
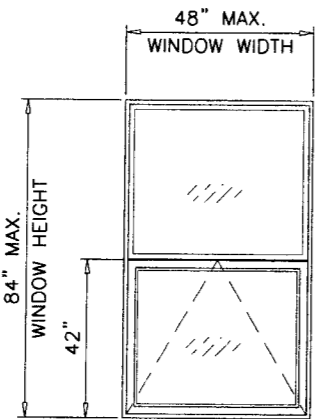
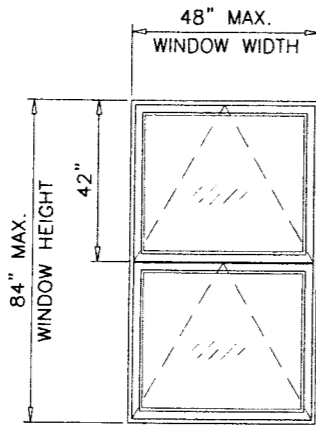


Jaime D. Gascon, P. E.  
Chief, Product Control Division  
NOA No. 09-0518.06  
Expiration Date: June 22, 2013  
Approval Date: July 08, 2009

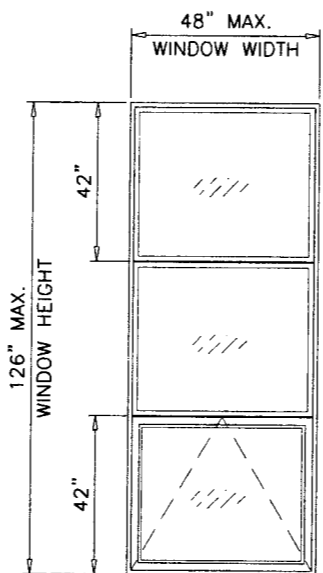
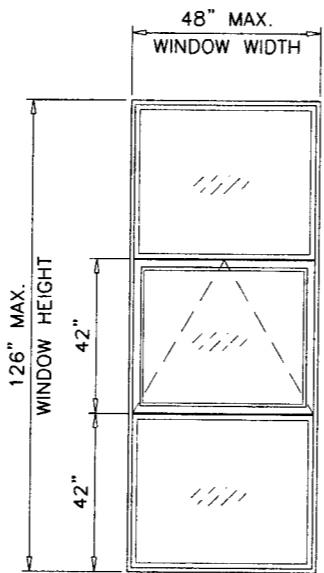
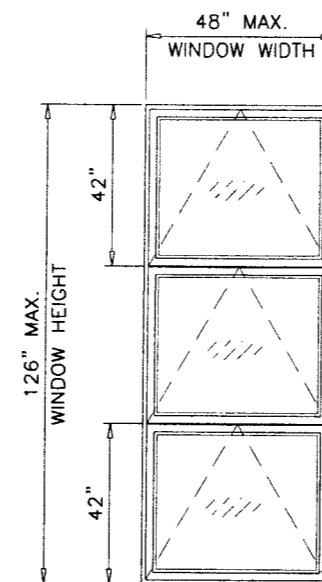
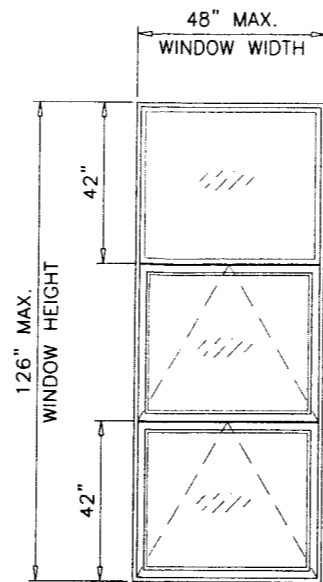
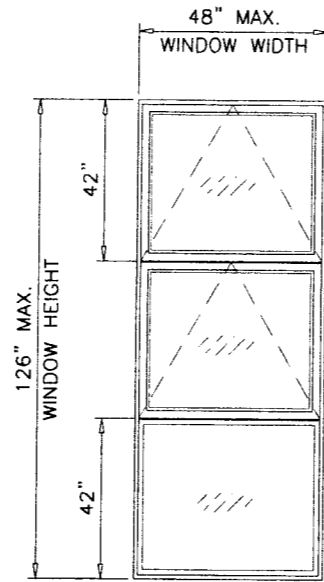




MAX. DESIGN LOAD RATING = + 80.0  
 GLASS TYPES = - 80.0 PSF  
 'A', 'B', 'D', 'F', 'G', & 'H'



MAX. DESIGN LOAD RATING = + 80.0  
 GLASS TYPES = - 80.0 PSF  
 'A', 'B', 'D', 'F', 'G', & 'H'



MAX. DESIGN LOAD RATING = + 80.0  
 GLASS TYPES = - 80.0 PSF  
 'A', 'B', 'D', 'F', 'G', & 'H'

APPROVED CONFIGURATIONS  
 SERIES-3062

NOTE:  
 GLASS CAPACITIES ON THIS SHEET ARE  
 BASED ON ASTM E1300-02/04 (3 SEC. GUSTS)  
 AND FLORIDA BUILDING COMMISSION  
 DECLARATORY STATEMENT DCA05-DEC-219

Engr: ARSHAD VIQAR  
 CIVIL  
 FLA. PE # 38863  
 C.A.N. 3538  
 JUN 15 2009

PRODUCT REVISED  
 as complying with the Florida  
 Building Code  
 Acceptance No. 09-0518.06  
 Expiration Date June 22, 2013  
 By: *[Signature]*  
 Miami Trade Product Control  
 Division

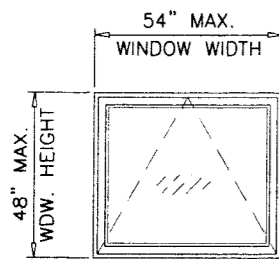
**af c**  
**AL-FAROOQ CORPORATION**  
 ENGINEERS & PRODUCT DEVELOPMENT  
 1235 S.W. 87 AVE  
 MIAMI, FLORIDA 33174  
 TEL. (305) 264-8100 FAX. (305) 262-6978  
 COMP-ANL W08-72SAT

S-3000/3062 ALUM. PROJECTED WDW. (L.M.I.)  
**SOL-A-TROL** ALUMINUM PRODUCTS  
 4101 N.W. 132ND STREET  
 MIAMI, FL. 33054  
 TEL. (305) 681-2020 FAX. (305) 681-2035

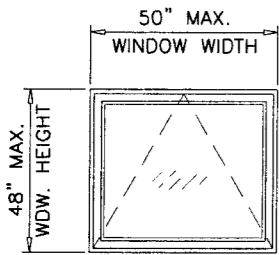
no	date	description
A	06.12.09	NO CHANGE THIS SHEET

date: 08-01-08  
 scale: 1/2" = 1"  
 dr. by: HAMID  
 chk. by:

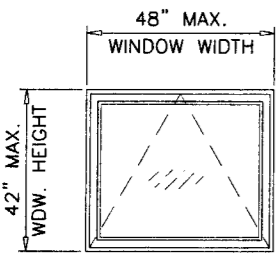
drawing no.  
**W08-72**  
 sheet 2 of 11



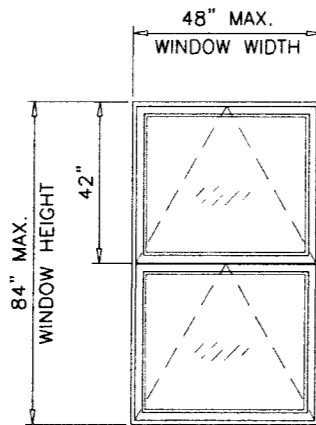
MAX. DESIGN LOAD RATING = + 75.0  
GLASS TYPES 'G' & 'H' - 95.0 PSF



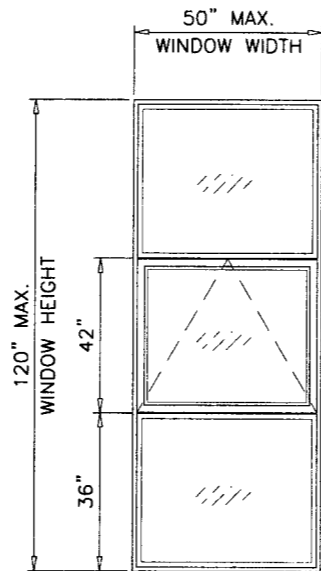
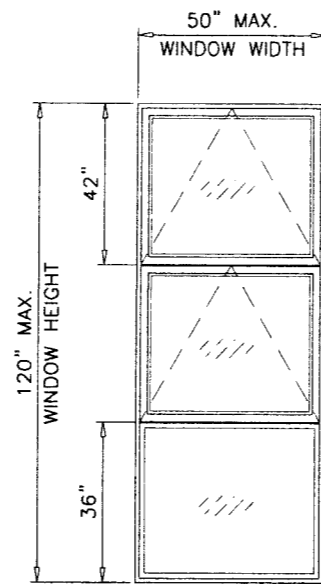
MAX. DESIGN LOAD RATING = + 80.0  
GLASS TYPE 'F' - 90.0 PSF



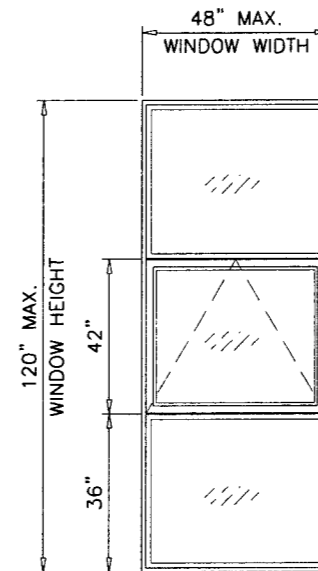
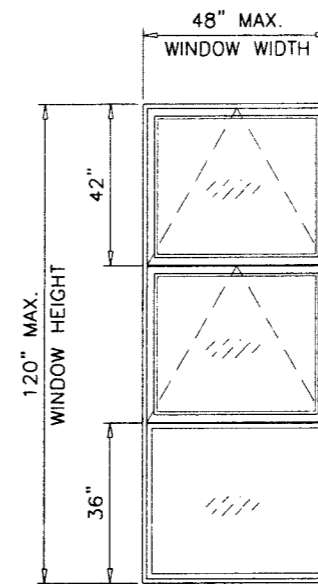
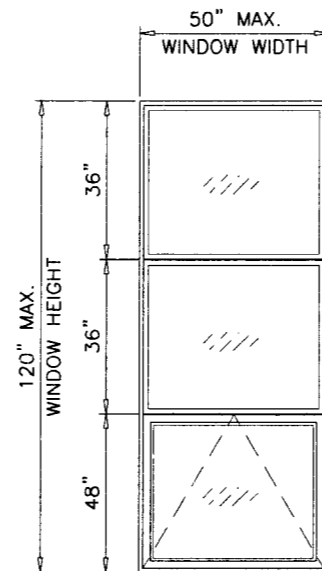
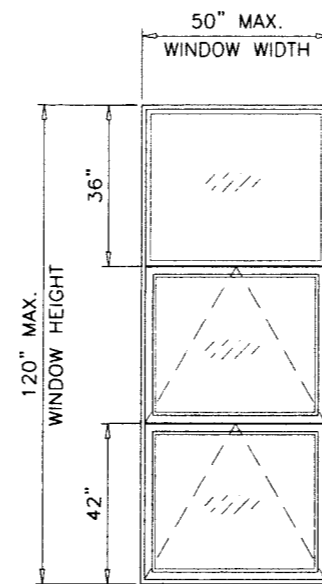
MAX. DESIGN LOAD RATING = + 100.0  
GLASS TYPES 'D' & 'F' - 100.0 PSF  
MAX. DESIGN LOAD RATING = + 80.0  
GLASS TYPES 'A' & 'B' - 80.0 PSF



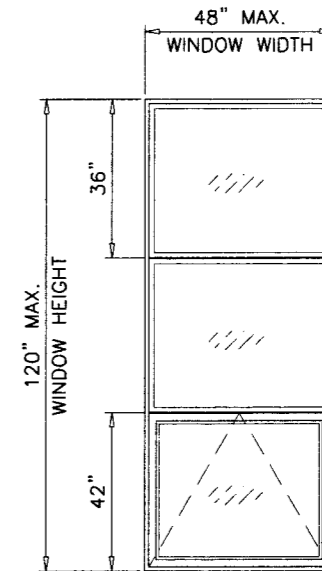
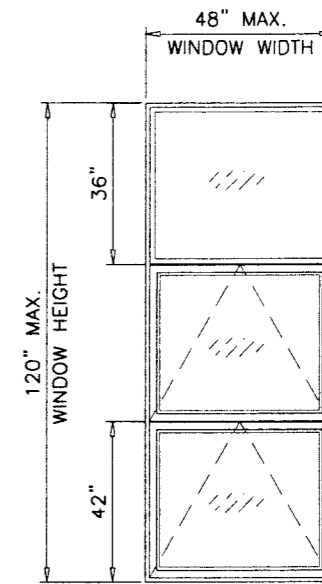
MAX. DESIGN LOAD RATING = + 100.0  
GLASS TYPES 'D' & 'F' - 100.0 PSF  
MAX. DESIGN LOAD RATING = + 75.0  
GLASS TYPES 'G' & 'H' - 95.0 PSF  
MAX. DESIGN LOAD RATING = + 80.0  
GLASS TYPES 'A' & 'B' - 80.0 PSF



MAX. DESIGN LOAD RATING = + 80.0  
GLASS TYPE 'F' - 90.0 PSF  
MAX. DESIGN LOAD RATING = + 75.0  
GLASS TYPES 'G' & 'H' - 95.0 PSF



MAX. DESIGN LOAD RATING = + 100.0  
GLASS TYPES 'D' & 'F' - 100.0 PSF  
MAX. DESIGN LOAD RATING = + 80.0  
GLASS TYPES 'A' & 'B' - 80.0 PSF



APPROVED CONFIGURATIONS  
SERIES-3000

NOTE:  
GLASS CAPACITIES ON THIS SHEET ARE  
BASED ON ASTM E1300-02/04 (3 SEC. GUSTS)  
AND FLORIDA BUILDING COMMISSION  
DECLARATORY STATEMENT DCA05-DEC-219

NOTE:  
FOR STACKED WINDOW WITH EQUAL LITES  
USE SMALLEST VENT HEIGHT SHOWN ABOVE.

Engr: ARSHAD VIQAR  
CIVIL  
FLA. PE # 38863  
C.A.N. 3538  
*Arshad Viqar*  
JUN 15 2009

PRODUCT REVISED  
as complying with the Florida  
Building Code  
Acceptance No. 09-0518.06  
Expiration Date June 22, 2013  
By *[Signature]*  
Miami Dade Product Control  
Division

**af c**  
**AL-FAROOQ CORPORATION**  
ENGINEERS & PRODUCT DEVELOPMENT  
1235 S.W. 87 AVE  
MIAMI, FLORIDA 33174  
TEL. (305) 264-8100 FAX. (305) 262-6978  
COMP-ANL\W08-72SAT

S-3000/3062 ALUM. PROJECTED WDW. (L.M.I.)  
**SOL-A-TROL** ALUMINUM PRODUCTS  
4101 N.W. 132ND STREET  
MIAMI, FL. 33054  
TEL. (305) 681-2020 FAX. (305) 681-2035

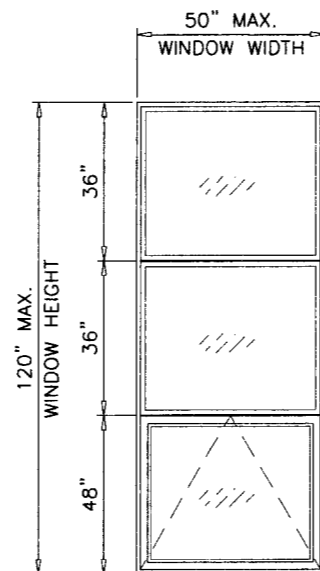
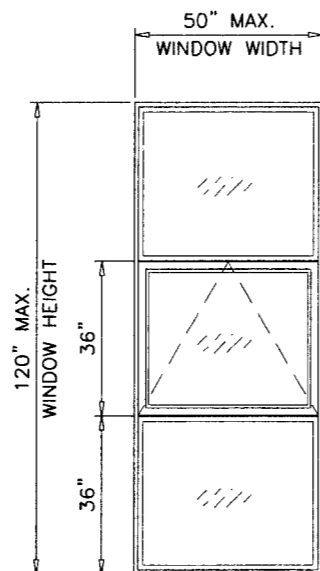
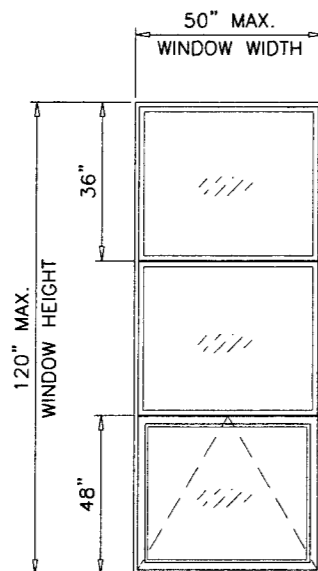
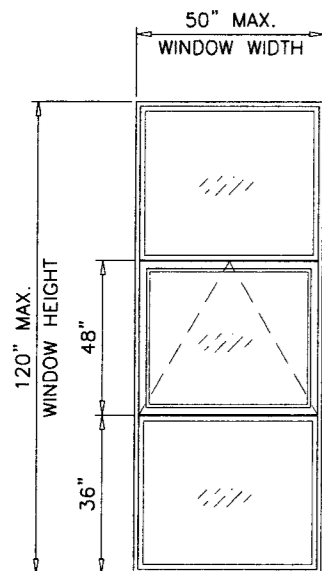
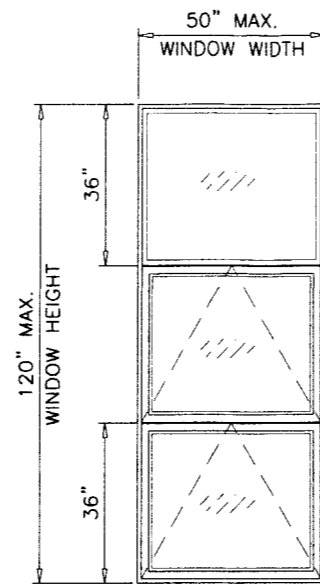
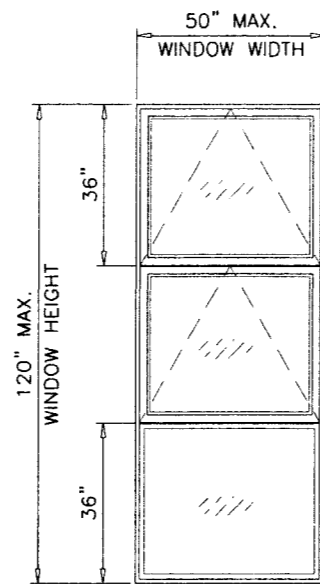
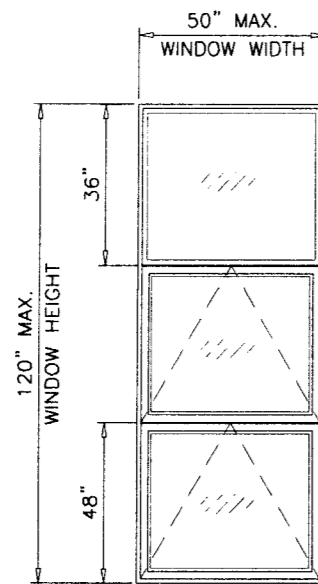
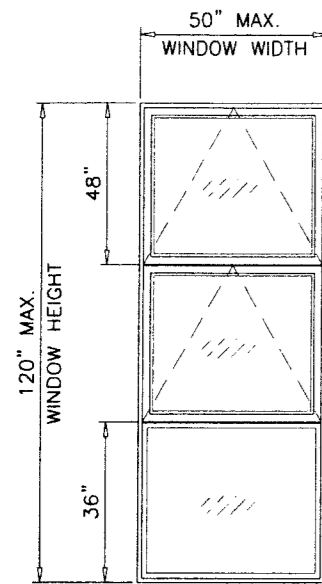
no.	date	description	by
A	06.12.09	NO CHANGE THIS SHEET	

date:	08-01-08
scale:	1/2" = 1"
dr. by:	HAMID
chk. by:	

drawing no.	W08-72
sheet	3 of 11



MAX. DESIGN LOAD RATING = + 80.0  
GLASS TYPES 'D' & 'F' - 90.0 PSF

MAX. DESIGN LOAD RATING = + 100.0  
GLASS TYPES 'D' & 'F' - 100.0 PSF  
MAX. DESIGN LOAD RATING = + 75.0  
GLASS TYPES 'G' & 'H' - 95.0 PSF

**APPROVED CONFIGURATIONS**  
**SERIES-3000**

NOTE:  
GLASS CAPACITIES ON THIS SHEET ARE  
BASED ON ASTM E1300-02/04 (3 SEC. GUSTS)  
AND FLORIDA BUILDING COMMISSION  
DECLARATORY STATEMENT DCA05-DEC-219

NOTE:  
FOR STACKED WINDOW WITH EQUAL LITES  
USE SMALLEST VENT HEIGHT SHOWN ABOVE.

Engr: ARSHAD VIQAR  
CIVIL  
FLA. PE # 38863  
C.A.N. 3538

*Arshad Viqar*  
JUN 15 2009

PRODUCT REVISED  
as complying with the Florida  
Building Code  
Acceptance No **09-0518.06**  
Expiration Date **June 22, 2013**

By *[Signature]*  
Miami Dade Product Control  
Division

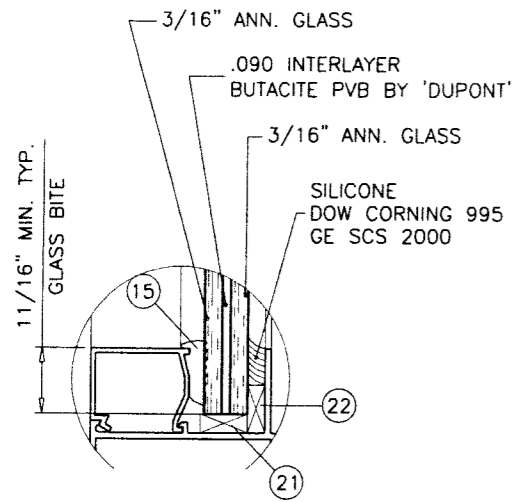
**af c**  
**AL-FAROOQ CORPORATION**  
ENGINEERS & PRODUCT DEVELOPMENT  
1235 S.W. 87 AVE  
MIAMI, FLORIDA 33174  
TEL. (305) 264-8100 FAX. (305) 262-6978  
COMP-ANL\W08-72SAT

S-3000/3062 ALUM. PROJECTED WDW. (L.M.I.)  
**SOL-A-TROL** ALUMINUM PRODUCTS  
4101 N.W. 132ND STREET  
MIAMI, FL. 33054  
TEL. (305) 681-2020 FAX. (305) 681-2035

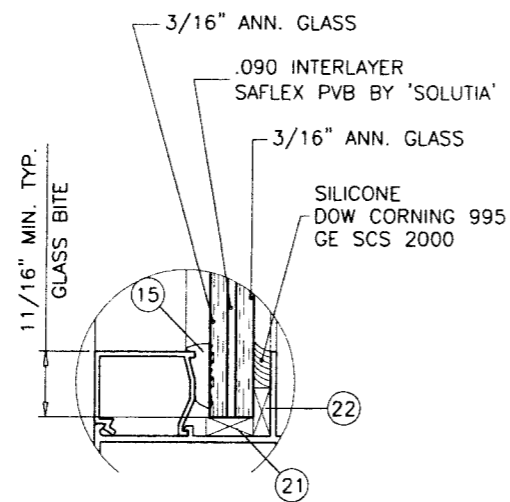
no	date	by	description
A	06.12.09		NO CHANGE THIS SHEET

date: 08-01-08  
scale: 1/2" = 1"  
dr. by: HAMID  
chk. by:

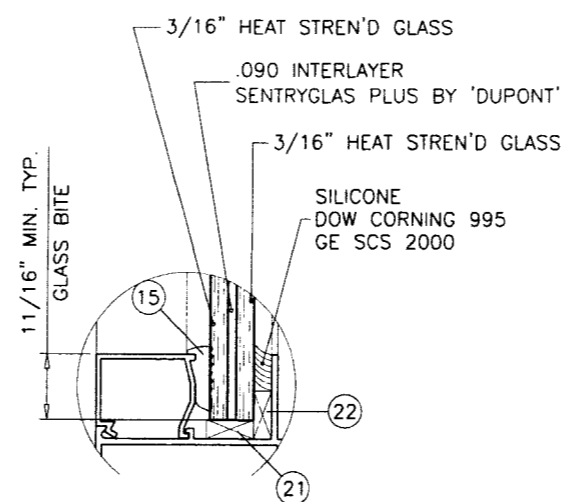
drawing no.  
**W08-72**  
sheet 4 of 11



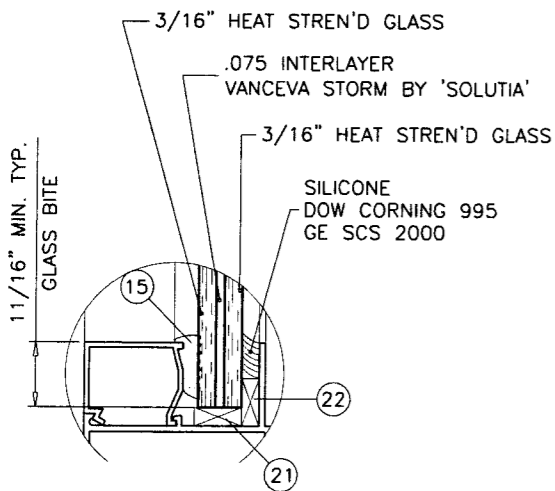
GLASS TYPE 'A'



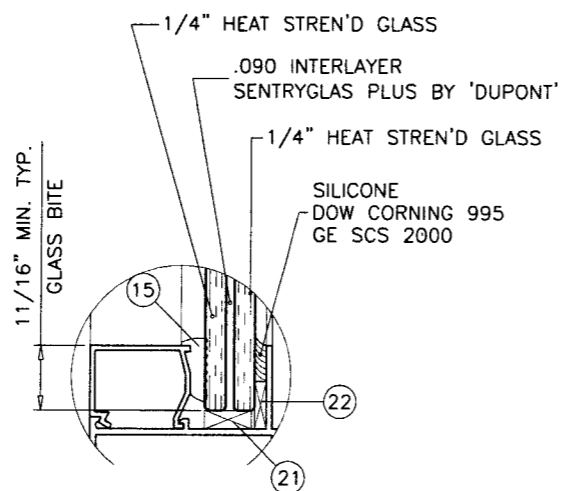
GLASS TYPE 'B'



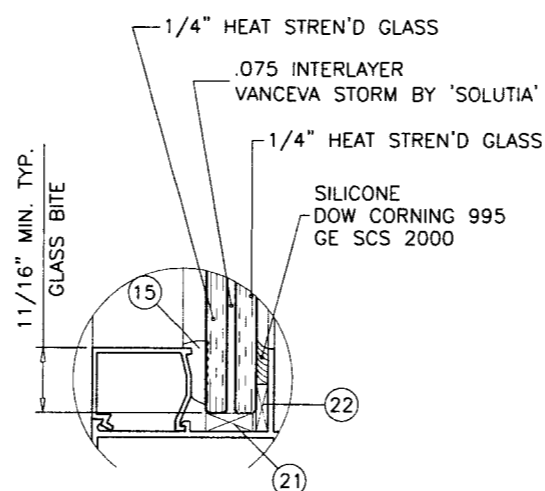
GLASS TYPE 'D'



GLASS TYPE 'F'



GLASS TYPE 'G'



GLASS TYPE 'H'

GLAZING OPTIONS

Engr: ARSHAD VIQAR  
 CIVIL  
 FLA. PE # 38863  
 C.A.N. 3538

*Arq*  
 JUN 15 2009

PRODUCT REVISED  
 as complying with the Florida  
 Building Code  
 Acceptance No 09-0518.06  
 Expiration Date June 22, 2013  
 By *[Signature]*  
 Miami Trade Product Control  
 Division

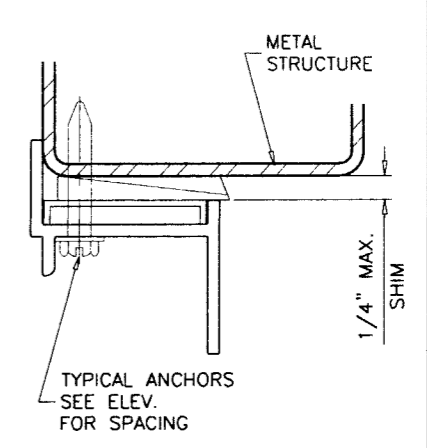
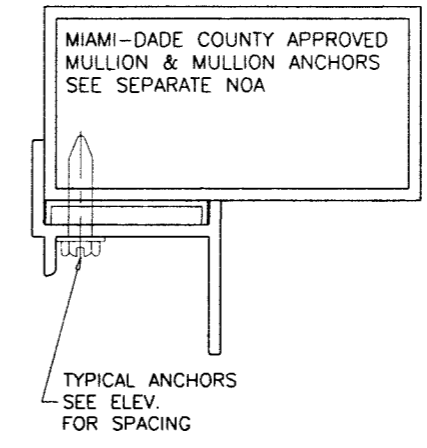
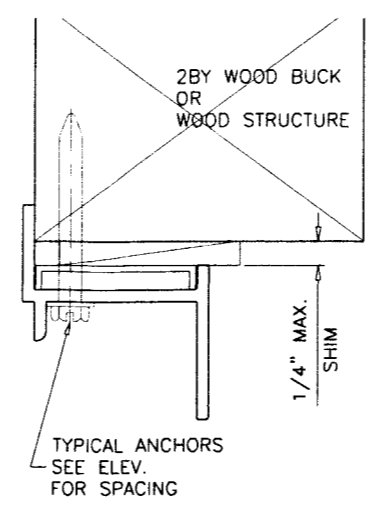
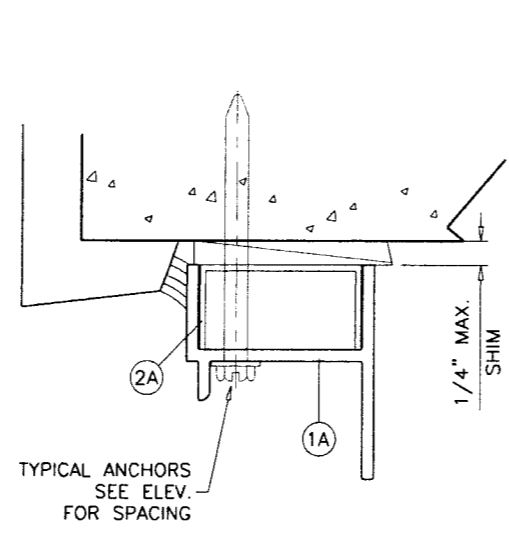
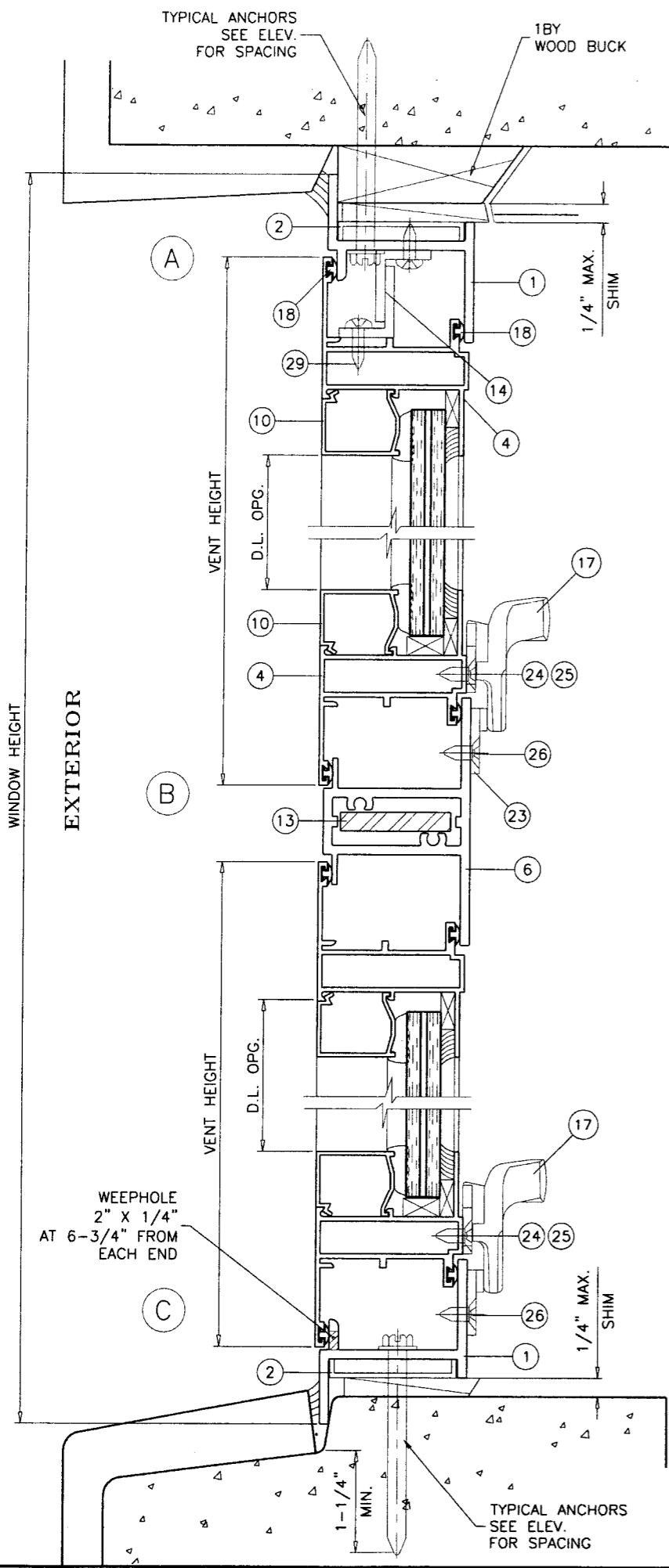
**afc**  
**AL-FAROOQ CORPORATION**  
 ENGINEERS & PRODUCT DEVELOPMENT  
 1235 S.W. 87 AVE  
 MIAMI, FLORIDA 33174  
 TEL. (305) 264-8100 FAX. (305) 262-6978  
 COMP-ANL\W08-72SAT

S-3000/3062 ALUM. PROJECTED WDW. (L.M.I.)  
**SOL-A-TROL ALUMINUM PRODUCTS**  
 4101 N.W. 132ND STREET  
 MIAMI, FL. 33054  
 TEL. (305) 681-2020 FAX. (305) 681-2035

revisions:	no	date	by	description
	A	06.12.09		NO CHANGE THIS SHEET

date: 08-01-08  
 scale: 1/2" = 1"  
 dr. by: HAMID  
 chk. by:

drawing no.  
**W08-72**  
 sheet 5 of 11



**TYPICAL ANCHORS:** SEE ELEV. FOR SPACING  
**1/4" DIA. ULTRACON BY 'ELCO'** (Fu=177 KSI, Fy=155 KSI)  
 INTO WOOD STRUCTURES  
 1-1/2" MIN. PENETRATION INTO WOOD  
 THRU 1BY OR 2BY BUCKS INTO CONC. OR MASONRY  
 1-1/4" MIN. EMBED INTO CONC. OR MASONRY  
 DIRECTLY INTO CONC. OR MASONRY  
 1-1/4" MIN. EMBED INTO CONC. OR MASONRY

**#14 SMS**  
 INTO 2BY WOOD BUCKS OR WOOD STRUCTURES  
 1-1/2" MIN. PENETRATION INTO WOOD (GRADE 2 CRS)

**#14 SMS OR SELF DRILLING SCREWS**  
 INTO METAL STRUCTURES  
 STEEL : 12 GA. MIN. (Fy = 36 KSI MIN.)  
 ALUMINUM : 1/8" THK. MIN. (6063-T5 MIN.)  
 (STEEL IN CONTACT WITH ALUMINUM TO BE PLATED OR PAINTED)

INTO MIAMI-DADE COUNTY APPROVED MULLIONS (MIN. THK. = .090")  
 (NO SHIM SPACE)

**TYPICAL EDGE DISTANCE**  
 INTO CONCRETE AND MASONRY = 1-1/4" MIN.  
 INTO WOOD STRUCTURE = 7/16" MIN.  
 INTO METAL STRUCTURE = 7/16" MIN.

CONCRETE f'c = 3000 PSI MIN.  
 MASONRY f'm = 1924 PSI MIN.

**SEALANTS:**  
 FRAME AND VENT CORNERS AND INSTALLATION SCREWS AT SILL  
 SEALED WITH WHITE/ALUMINUM COLORED SEALANT.

FLANGE AND EQUAL LEG FRAMES CAN BE USED AT ALL ANCHORAGE CONDITIONS.

WOOD BUCKS AND METAL STRUCTURE NOT BY SOL-A-TROL MUST SUSTAIN LOADS IMPOSED BY GLAZING SYSTEM AND TRANSFER THEM TO THE BUILDING STRUCTURE.

Engr. ARSHAD VIQAR  
 CIVIL  
 FLA. PE # 38863  
 C.A.N. 3538

*Arshad Viqar*  
 JUN 15 2009

PRODUCT REVISED  
 as complying with the Florida  
 Building Code  
 Acceptance No. 09-0518.06  
 Expiration Date June 22, 2013  
 By *Shirley M...*  
 Miami Dade Product Control  
 Division

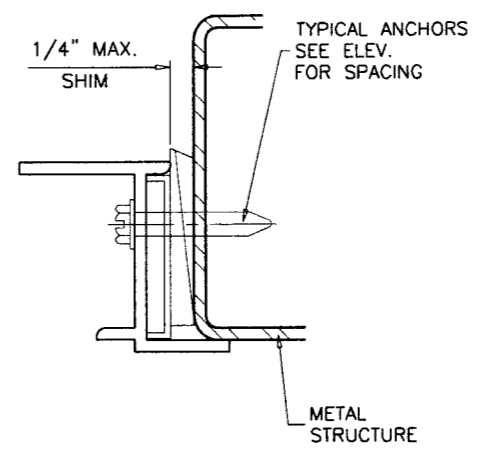
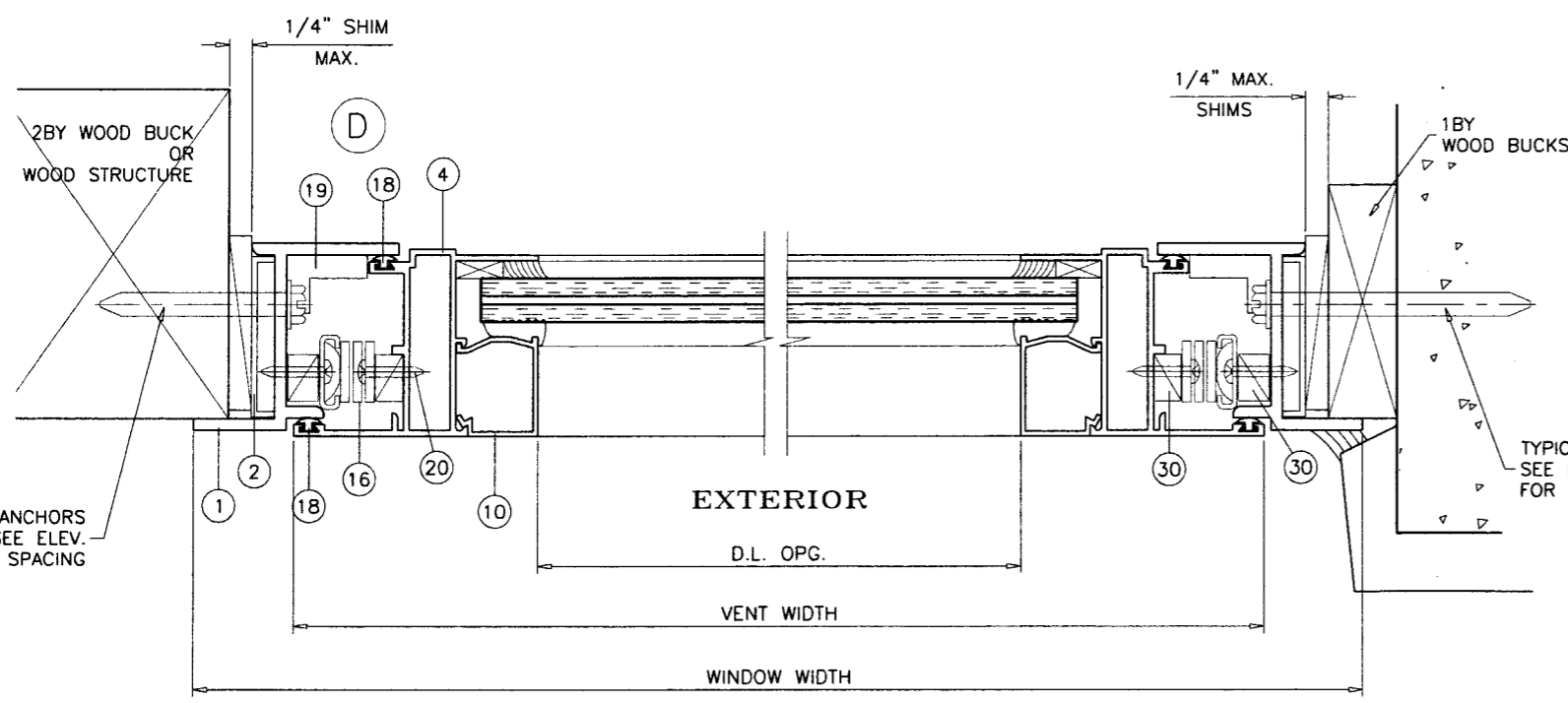
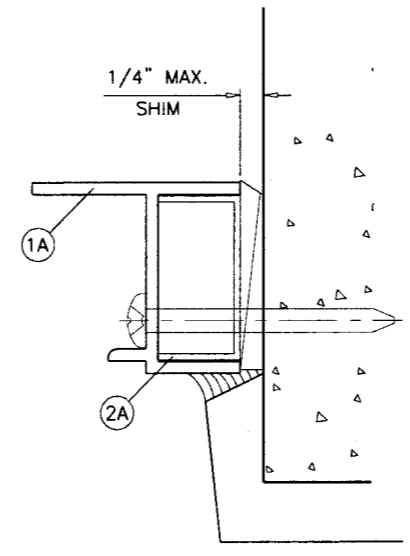
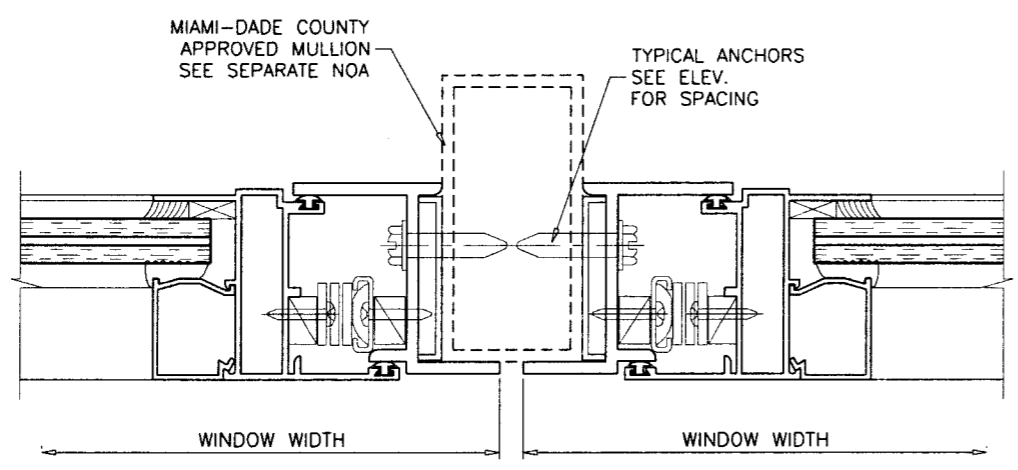
**af c**  
**AL-FAROOQ CORPORATION**  
 ENGINEERS & PRODUCT DEVELOPMENT  
 1235 S.W. 87 AVE  
 MIAMI, FLORIDA 33174  
 TEL. (305) 264-8100 FAX. (305) 262-6978  
 COMP-ANL\W08-72SAT

S-3000/3062 ALUM. PROJECTED WDW. (L.M.I.)  
**SOL-A-TROL** ALUMINUM PRODUCTS  
 4101 N.W. 132ND STREET  
 MIAMI, FL. 33054  
 TEL. (305) 681-2020 FAX. (305) 681-2035

no.	date	by	description
A	06.12.09		NO CHANGE THIS SHEET

date:	08-01-08
scale:	1/2" = 1"
dr. by:	HAMID
chk. by:	

drawing no.  
**W08-72**  
 sheet 6 of 11



TYPICAL ANCHORS SEE ELEV. FOR SPACING

Engr: ARSHAD VIQAR  
 CIVIL  
 FLA. PE # 38863  
 C.A.N. 3538

*Aug*  
 JUN 15 2009

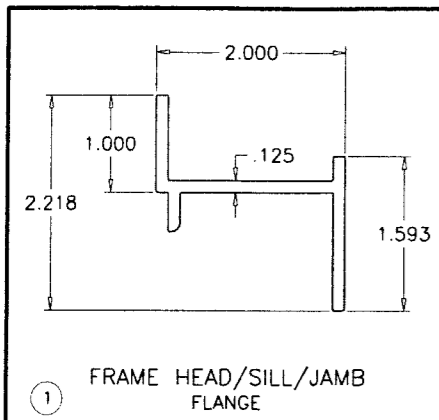
PRODUCT REVISED  
 as complying with the Florida Building Code  
 Acceptance No. 09-0518.06  
 Expiration Date June 22, 2013  
 By *[Signature]*  
 Miami Dade Product Control Division

revisions:	no	date	description
	A	06.12.09	NO CHANGE THIS SHEET

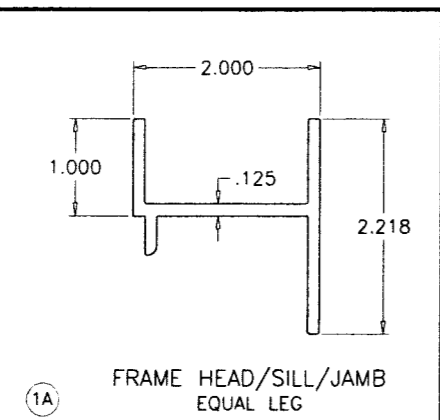
date:	08-01-08
scale:	1/2" = 1"
dr. by:	HAMID
chk. by:	

drawing no.  
**W08-72**  
 sheet 7 of 11

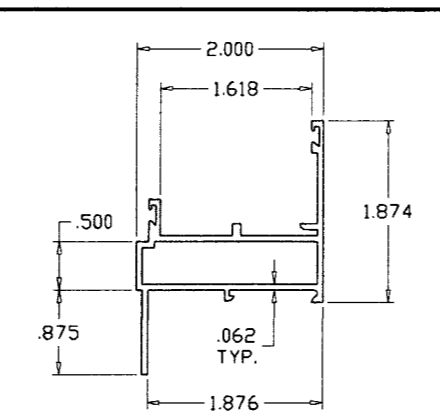




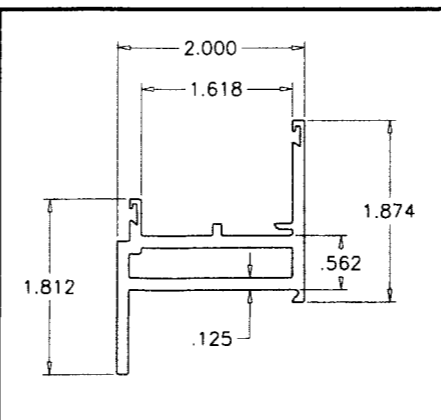
① FRAME HEAD/SILL/JAMB FLANGE



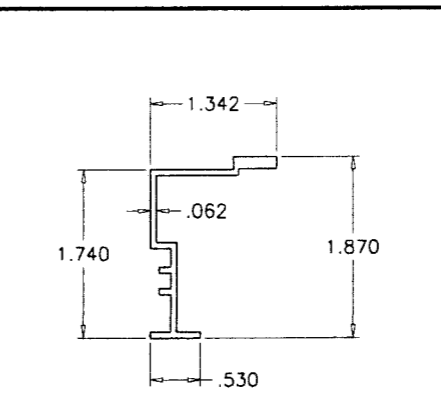
①A FRAME HEAD/SILL/JAMB EQUAL LEG



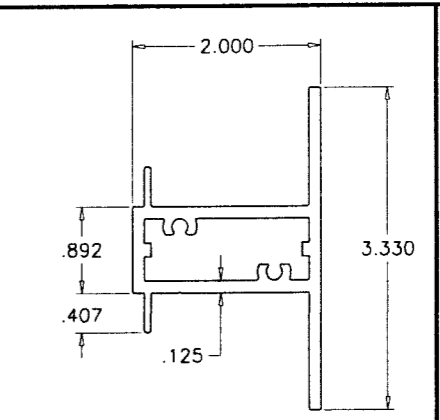
④ VENT (3062)



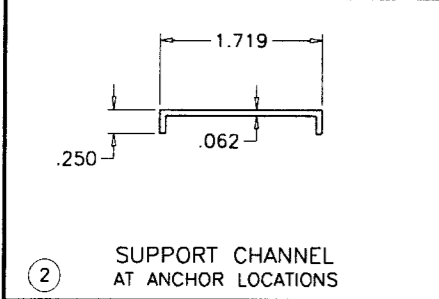
⑤ VENT (3000)



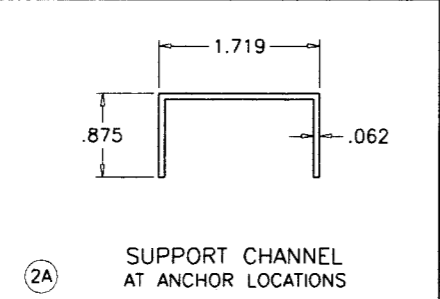
⑨ FTO ADAPTER



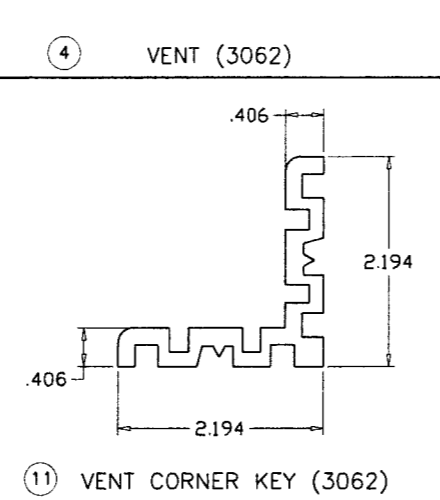
⑥ HORIZ. IMPOST (X/X)



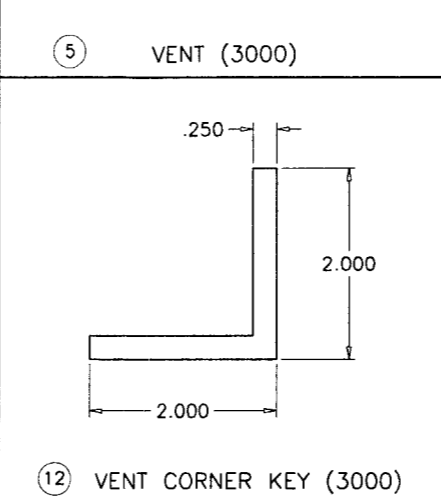
② SUPPORT CHANNEL AT ANCHOR LOCATIONS



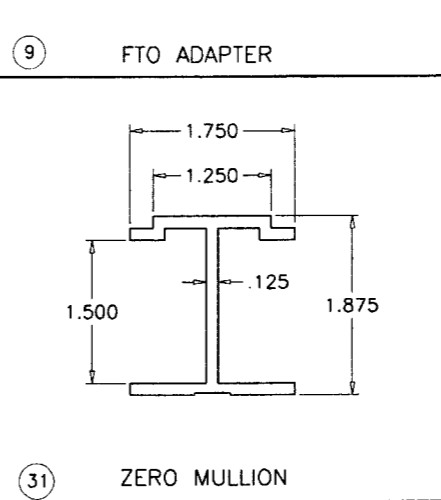
②A SUPPORT CHANNEL AT ANCHOR LOCATIONS



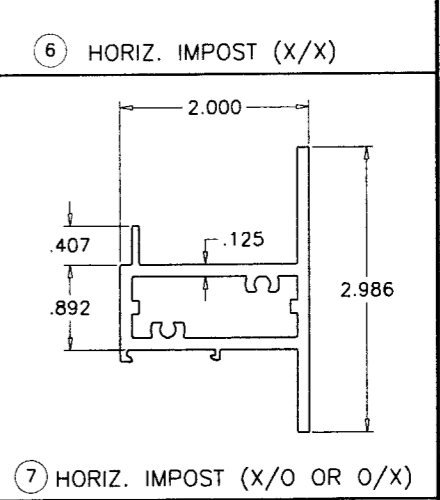
⑪ VENT CORNER KEY (3062)



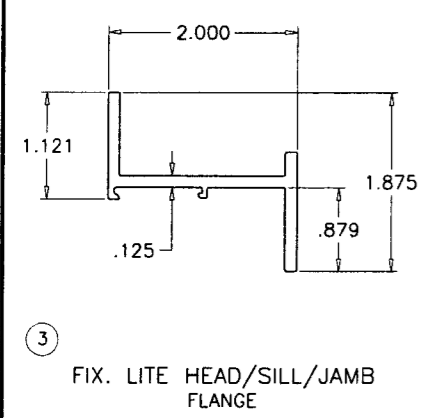
⑫ VENT CORNER KEY (3000)



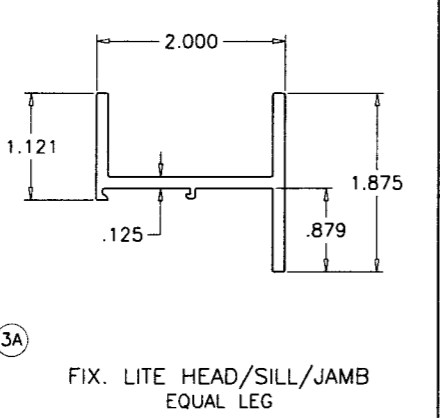
③① ZERO MULLION



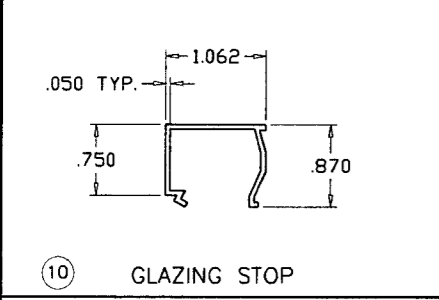
⑦ HORIZ. IMPOST (X/O OR O/X)



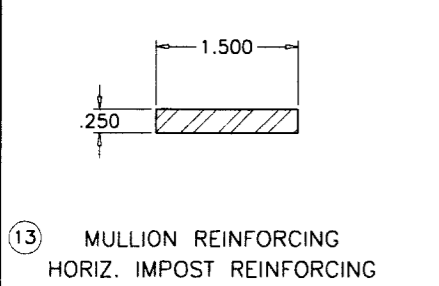
③ FIX. LITE HEAD/SILL/JAMB FLANGE



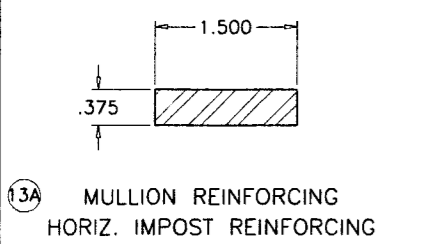
③A FIX. LITE HEAD/SILL/JAMB EQUAL LEG



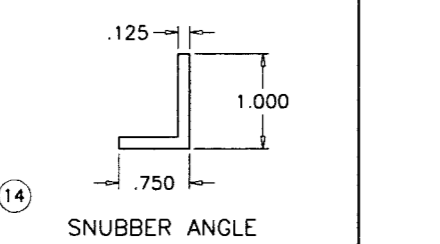
⑩ GLAZING STOP



⑬ MULLION REINFORCING HORIZ. IMPOST REINFORCING



⑬A MULLION REINFORCING HORIZ. IMPOST REINFORCING



⑭ SNUBBER ANGLE

**LOCKS:**

**OPTION #1:**

(2) CAM LOCKS AT EACH VENT BY 'FRESH LINK' PART #1305 & 1306 EACH INSTALLED WITH (2) #8 X 5/8" MACHINE SCREWS HOOKED KEEPERS AT VERTICAL STILES BY 'FRESH LINK' PART #PN K-2014 AND FLAT KEEPERS AT HORIZONTAL RAILS BY 'BRONZECRAFT' PART #3282-059-0122 FACING LOCKS EACH INSTALLED WITH (2) #10 X 3/8" P FH SMS

**OPTION #2:**

(2) SWEEP LOCKS AT EACH VENT BY 'MELRON CORP.' PART #1735 EACH INSTALLED WITH (2) #8 X 5/8" MACHINE SCREWS KEEPERS FACING LOCKS INSTALLED WITH (2) #10 X 3/8" P FH SMS.

**HINGES:**

4 BAR ST. STEEL HINGES FASTENED TO FRAME W/ (5) #10 X 7/8" PH SMS VENT W/ (4) #10 X 7/8" PH SMS

**SNUBBERS:**

3/4" X 1" X 5" LONG X 1/8" THK. ALUM ANGLE (2) PER VENT AT 7" FROM ENDS EACH INSTALLED WITH (4) #10 X 3/4" PH SMS MATCHING ANGLES INSTALLED IN FRAME

**OPERATOR:**

2 BAR OPERATORS FASTENED TO FRAME AND VENT WITH (2) #10 X 1" PH TYPE B SCREWS

Engr: ARSHAD VIQAR  
CIVIL  
FLA. PE # 38863  
C.A.N. 3538

*Arge*  
JUN 15 2009

PRODUCT REVISED  
as complying with the Florida  
Building Code  
Acceptance No 09-0518.06  
Expiration Date June 22, 2013  
By *[Signature]*  
Miami Dade Product Control  
Division

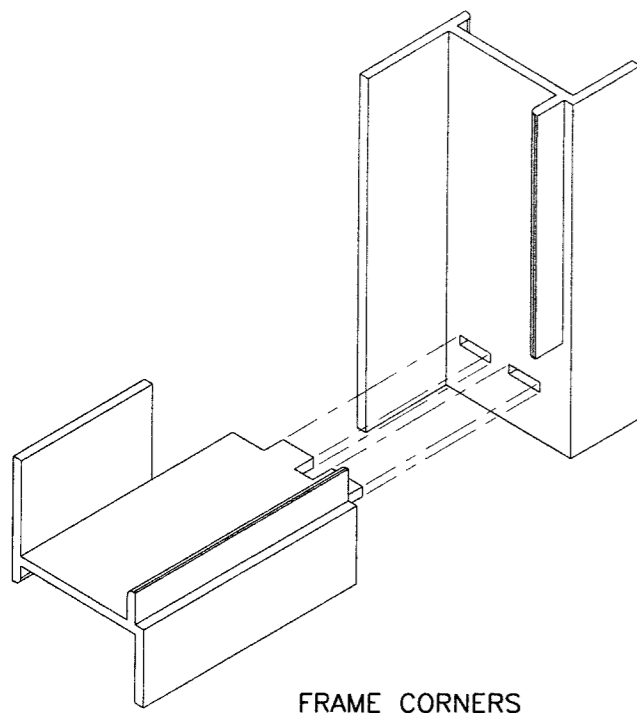
**afC**  
**AL-FAROOQ CORPORATION**  
ENGINEERS & PRODUCT DEVELOPMENT  
1235 S.W. 87 AVE  
MIAMI, FLORIDA 33174  
TEL. (305) 264-8100 FAX. (305) 262-6978  
COMP-ANL\W08-72SAT

S-3000/3062 ALUM. PROJECTED WDW. (L.M.I.)  
**SOL-A-TROL ALUMINUM PRODUCTS**  
4101 N.W. 132ND STREET  
MIAMI, FL. 33054  
TEL. (305) 681-2020 FAX. (305) 681-2035

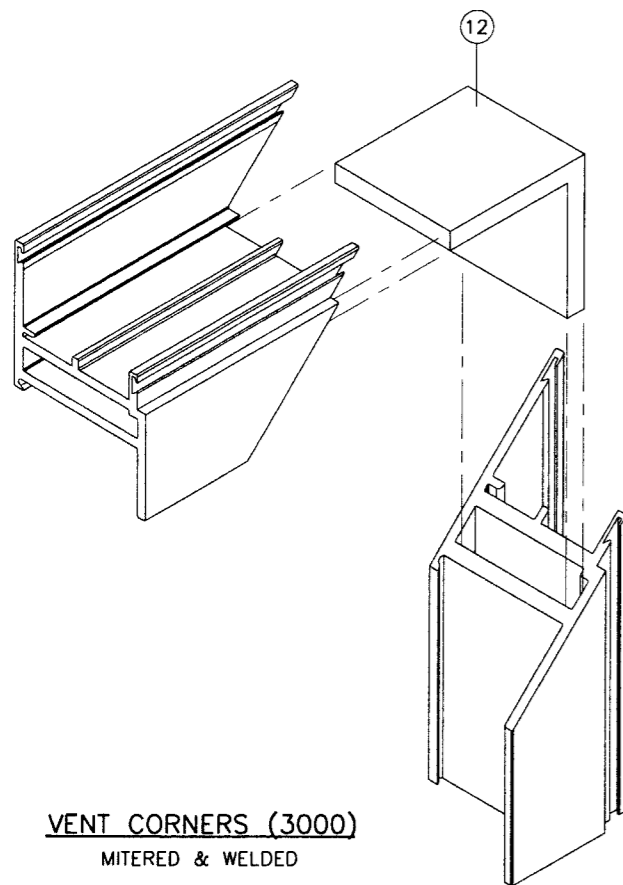
no	date	by	description
A	06.12.09		NO CHANGE THIS SHEET

date: 08-01-08  
scale: 1/2" = 1"  
dr. by: HAMID  
chk. by:

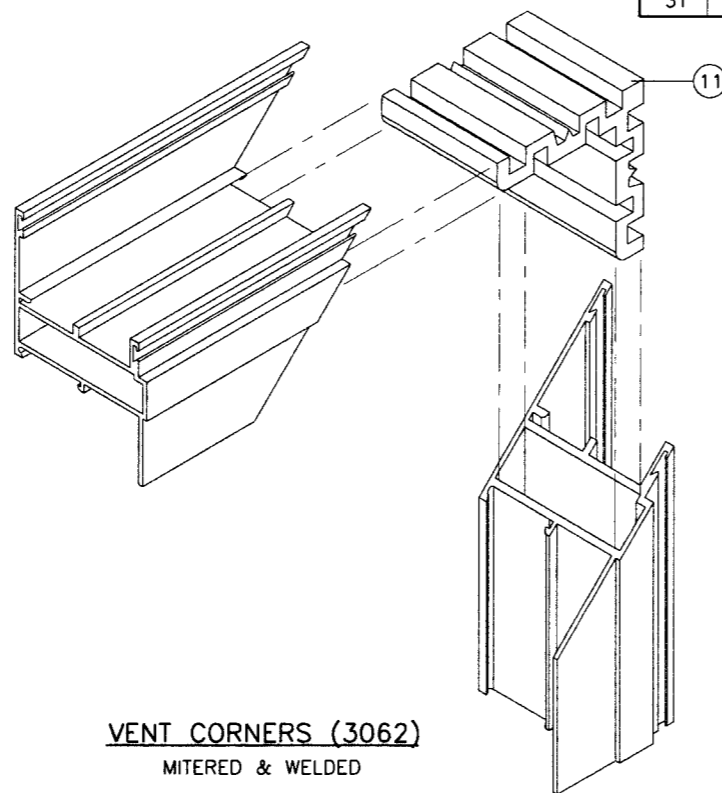
drawing no.  
**W08-72**  
sheet 9 of 11



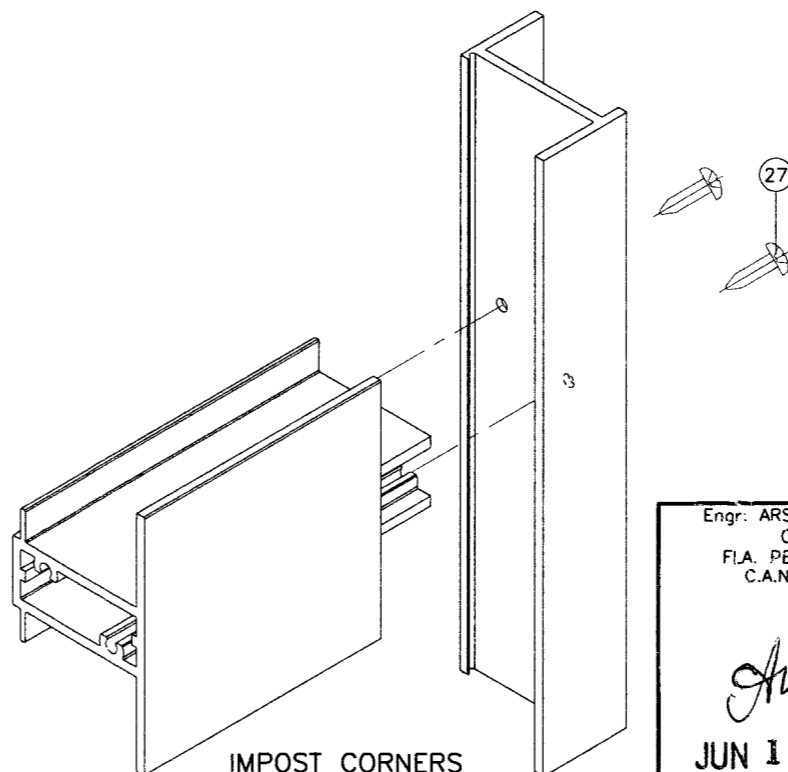
**FRAME CORNERS**  
STAKED MORTISE AND TENON FABRICATION



**VENT CORNERS (3000)**  
MITERED & WELDED



**VENT CORNERS (3062)**  
MITERED & WELDED



**IMPOST CORNERS**

ITEM	PART #	QUANTITY	DESCRIPTION	MATERIAL	MANF./SUPPLIER/REMARKS
1	ARSO-127	1	FRAME HEAD/SILL/JAMB (FLANGE)	6063-T5	-
1A	ARSO-142	1	FRAME HEAD/SILL/JAMB (EQUAL LEG)	6063-T5	-
2	-	1	SUPPORT CHANNEL (FLANGE), 3" LONG	3003-H14	AT ANCHOR LOCATIONS
2A	-	1	SUPPORT CHANNEL (EQUAL LEG), 3" LONG	3003-H14	AT ANCHOR LOCATIONS
3	ARSO-114	1	FIX. LITE HEAD/SILL/JAMB (FLANGE)	6063-T6	-
3A	ARSO-934	1	FIX. LITE HEAD/SILL/JAMB (EQUAL LEG)	6063-T6	-
4	ARSO-176	4/ VENT	VENT (3062)	6063-T6	-
5	ARSO-105	4/ VENT	VENT (3000)	6063-T6	-
6	ARSO-184	AS REQD.	HORIZ. IMPOST (X/X)	6063-T6	-
7	ARSO-980	AS REQD.	HORIZ. IMPOST (X/O OR O/X)	6063-T6	-
8	ARSO-984	AS REQD.	HORIZ. IMPOST (O/O)	6063-T6	-
9	ARSO-100	AS REQD.	FTO ADAPTER	6063-T6	-
10	ARSO-169	4/ VENT	GLAZING STOP	6063-T5	-
11	ARSO-173	1/ CORNER	VENT CORNER KEY (3062)	6063-T5	-
12	-	1/ CORNER	VENT CORNER KEY (3000)	6063-T5	-
13	-	-	MULLION/HORIZ. IMPOST REINFORCING	STEEL	-
13A	-	-	MULLION REINFORCING	STEEL	-
14	-	6/ VENT	SNUBBER ANGLE, 5" LONG	6063-T5	-
15	FP-40	AS REQD.	GLAZING WEDGE	VINYL	PROTOTYPE PLASTICS
16	34-16	2/ VENT	4 BAR HINGE	ST. STEEL	TRUTH OR EQUIV.
17	798L/799R	2/ VENT	CAM LOCK WITH KEEPER	BRONZE	AT 8-3/4" FROM VENT ENDS
18	326-FP-261AB	AS REQD.	BULB WEATHER STRIPPING	VINYL	PROTOTYPE PLASTICS
19	-	AS REQD.	ALUM ANGLE, 4" LONG	6063-T5	-
20	1/4-20 X 3/4"	6/ HINGE	HINGE INSTALLATION SCREWS	ST. STEEL	PAN HEAD SMS
21	326-FP-808B	AS REQD.	SETTING BLOCK (1/2" X 1/8" X 2" LONG) @ 6" FROM ENDS	PVC	PROTOTYPE PLASTICS
22	326-RP-142B	AS REQD.	SIDE BLOCK (1/2" X 1/4" X FULL LENGTH)	PVC	PROTOTYPE PLASTICS
23	ALS4-8-32-80	2/ LOCK	THREADED INSERT	STEEL	AVK FASTENERS
24	#8-32 X 1/2"	2/ LOCK	LOCK INSTALLATION SCREWS (3062)	ST. STEEL	FH MS
25	#10 X 1/2"	2/ LOCK	LOCK INSTALLATION SCREWS (3000)	ST. STEEL	FH SMS
26	#8 X 3/8"	2/ LOCK	KEEPER INSTALLATION SCREWS	ST. STEEL	FH SMS
27	#10 X 1-1/2"	2/ CORNER	IMPOST ASSEMBLY SCREWS	-	PH SELF DRILLING
28	#10 X 3/8"	6/ VENT	FTO ADAPTER SCREWS	-	PH SMS
29	#10 X 3/4"	4/ ANGLE	SNUBBER ANGLE SCREWS	-	PH SMS
30	-	2/ VENT	1/2" X 1/4" X 24" LONG SHIM	PLASTIC	-
31	ARSO-168	-	ZERO MULLION	6063-T5	-

Engr. ARSHAD VIQAR  
CIVIL  
FLA. PE # 38863  
C.A.N. 3538

*Arp*  
JUN 15 2009

PRODUCT REVISED  
as complying with the Florida  
Building Code  
Acceptance No. 09-0518.06  
Expiration Date June 22, 2013  
By *[Signature]*  
Miami Dade Product Control  
Division

**afC**  
**AL-FAROOQ CORPORATION**  
ENGINEERS & PRODUCT DEVELOPMENT  
1235 S.W. 87 AVE  
MIAMI, FLORIDA 33174  
TEL. (305) 264-8100 FAX. (305) 262-6978  
COMP-ANL\W08-72SAT

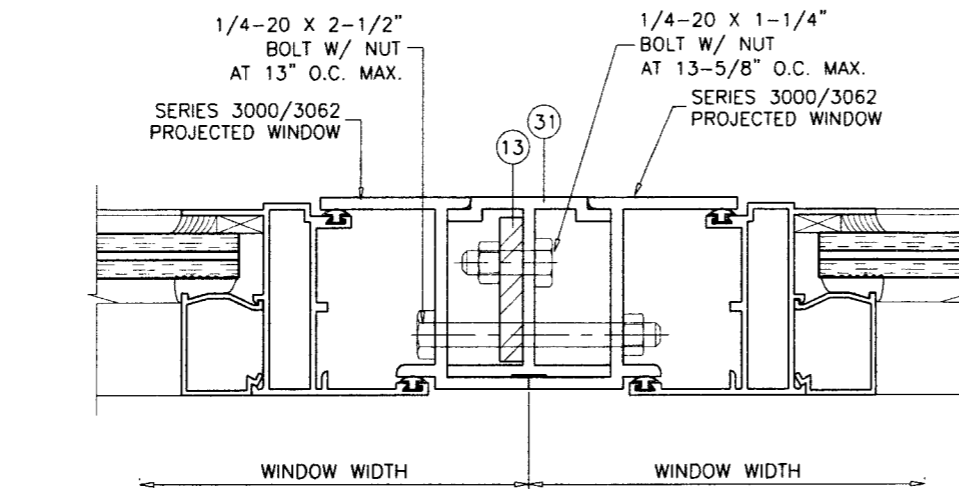
S-3000/3062 ALUM. PROJECTED WDW. (L.M.I.)  
**SOL-A-TROL** ALUMINUM PRODUCTS  
4101 N.W. 132ND STREET  
MIAMI, FL. 33054  
TEL. (305) 681-2020 FAX. (305) 681-2035

revisions:	no.	date	by	description
	A	06.12.09		NO CHANGE THIS SHEET
date:	08-01-08			
scale:	1/2" = 1"			
dr. by:	HAMID			
chk. by:				
drawing no.	<b>W08-72</b>			
sheet	10 of 11			

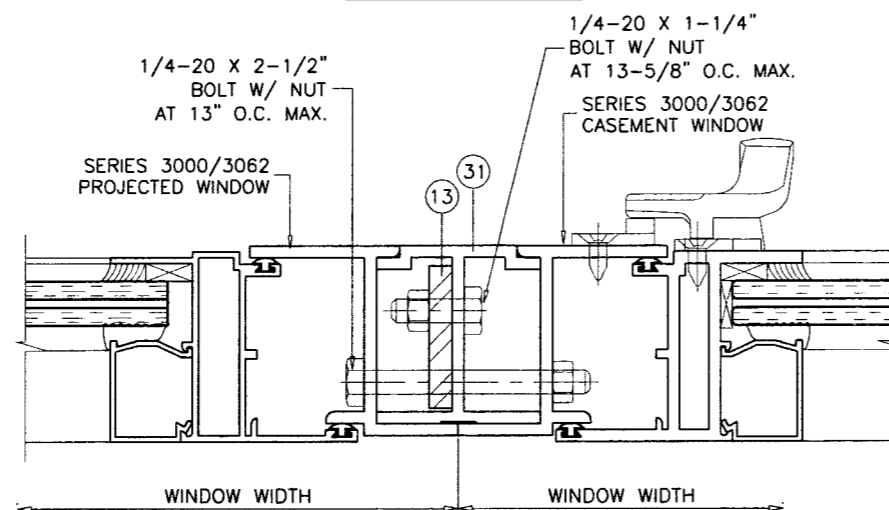
MULLION LOAD CAPACITY - PSF					
WINDOW DIMS.		MULLION TYPES '1' & '2'		TYPE '3'	TYPE '3A'
WIDTH (W)	LENGTH (L)	EXT.(+)	INT.(-)	EXT.(+)	INT.(-)
19-1/8"	26"	75.0	95.0	80.0	80.0
26-1/2"		75.0	95.0	80.0	80.0
37"		75.0	95.0	80.0	80.0
53-1/8"		75.0	95.0	80.0	80.0
19-1/8"	38-3/8"	75.0	95.0	80.0	80.0
26-1/2"		75.0	95.0	80.0	80.0
37"		75.0	95.0	80.0	80.0
53-1/8"		-	-	75.8	80.0
19-1/8"	50-5/8"	-	-	80.0	80.0
26-1/2"		-	-	80.0	80.0
37"		-	-	68.9	80.0
53-1/8"		-	-	-	-
19-1/8"	63"	-	-	80.0	80.0
26-1/2"		-	-	80.0	80.0
37"		-	-	66.3	80.0
24"	36"	75.0	95.0	80.0	80.0
30"		75.0	95.0	80.0	80.0
36"		75.0	95.0	80.0	80.0
42"		75.0	95.0	80.0	80.0
48"		75.0	95.0	80.0	80.0
54"	75.0	95.0	79.5	80.0	
24"	42"	75.0	95.0	80.0	80.0
30"		75.0	95.0	80.0	80.0
36"		75.0	95.0	80.0	80.0
42"		75.0	95.0	80.0	80.0
48"		75.0	95.0	76.7	80.0
54"	-	-	68.2	80.0	
24"	48"	75.0	95.0	80.0	80.0
30"		75.0	95.0	80.0	80.0
36"		75.0	95.0	80.0	80.0
42"		75.0	95.0	80.0	80.0
48"		-	-	67.1	80.0
54"	-	-	59.7	80.0	
24"	54"	-	-	80.0	80.0
30"		-	-	80.0	80.0
36"		-	-	79.5	80.0
42"		-	-	68.2	80.0
48"		-	-	59.7	80.0
54"	-	-	53.0	80.0	
24"	60"	-	-	80.0	80.0
30"		-	-	80.0	80.0
36"		-	-	71.6	80.0
42"		-	-	61.4	80.0
48"	-	-	53.7	80.0	
24"	63"	-	-	80.0	80.0
30"		-	-	80.0	80.0
36"		-	-	68.2	80.0
42"		-	-	58.4	80.0
48"	-	-	51.1	80.0	

**NOTES:**

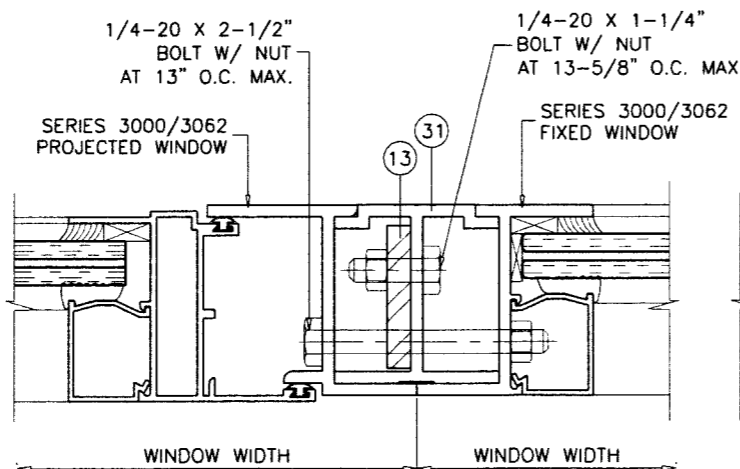
1. USE CHART ON THIS SHEET FOR SIDE BY SIDE CONNECTION CAPACITY OF WINDOW MULLION.
2. FOR PROJECTED WINDOW CAPACITY SEE SHEET 2 THRU 4.
3. FOR FIXED OR CASEMENT WINDOWS CAPACITY SEE SEPARATE NOA.
4. LOWER VALUES FROM STEPS 1, 2 OR 3 WILL APPLY TO ENTIRE SYSTEM.



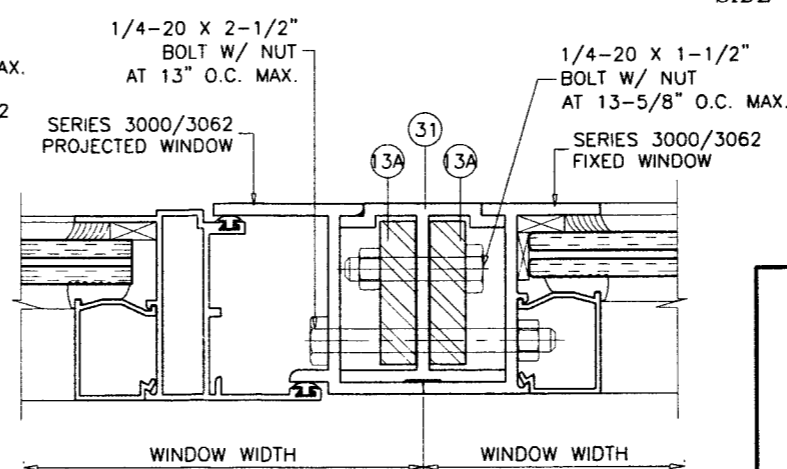
**MULLION TYPE '1'**



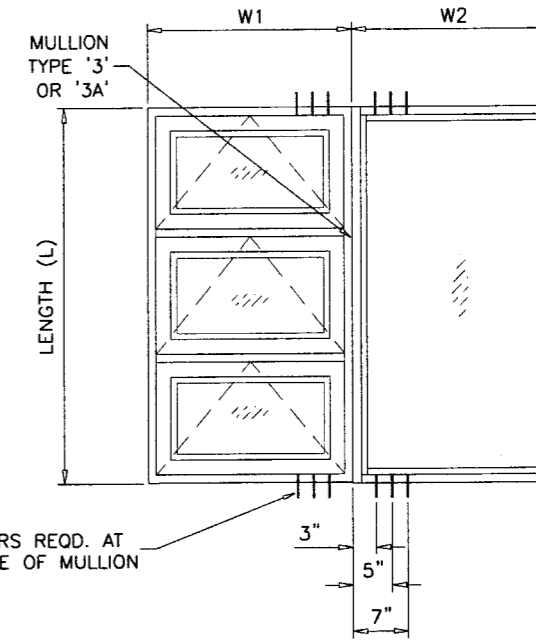
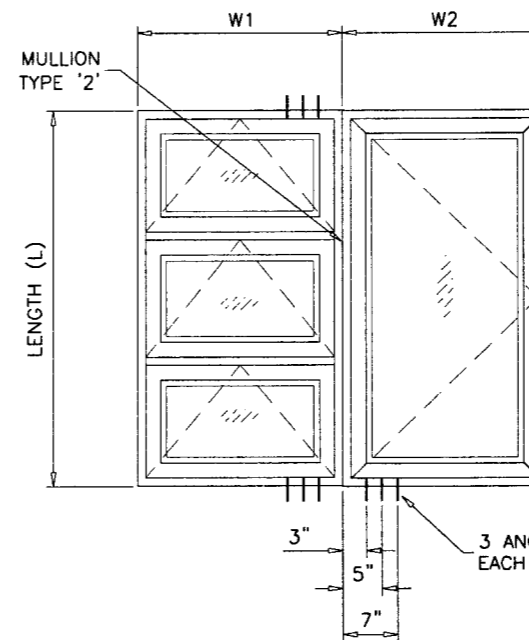
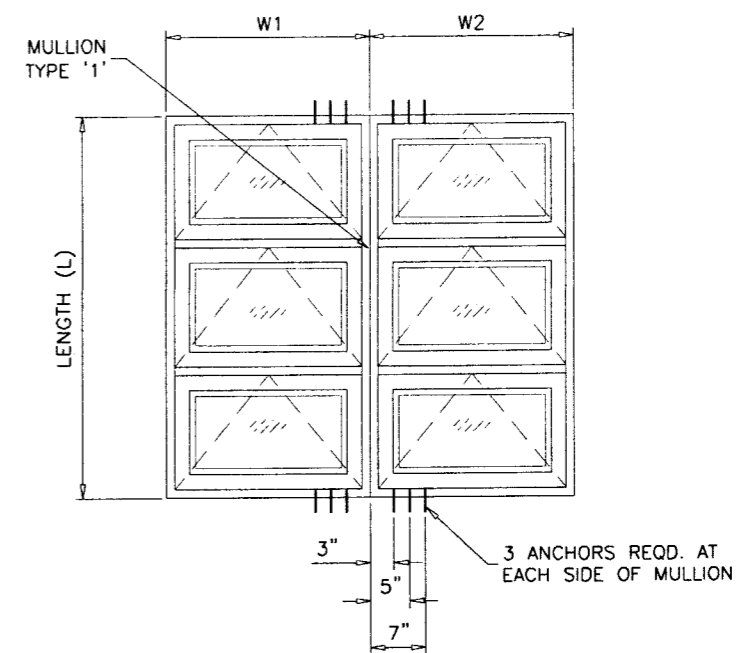
**MULLION TYPE '2'**



**MULLION TYPE '3'**



**MULLION TYPE '3A'**



**TYPICAL ELEVATIONS**  
SIDE BY SIDE WINDOWS

SIDE BY SIDE APPLIES TO TWO OR MORE WINDOWS

$$\text{WIDTH (W)} = \frac{W1 + W2}{2}$$

Engr: ARSHAD VIQAR  
CIVIL  
FLA. PE # 38863  
C.A.N. 3538  
  
JUN 15 2009

PRODUCT REVISED  
as complying with the Florida  
Building Code  
Acceptance No. 09-0518.06  
Expiration Date June 22, 2013  
  
By: *[Signature]*  
Miami Dade Product Control  
Division

**AL-FAROOQ CORPORATION**  
ENGINEERS & PRODUCT DEVELOPMENT  
1235 S.W. 87 AVE  
MIAMI, FLORIDA 33174  
TEL. (305) 264-8100 FAX. (305) 262-6978  
COMP-ANL W08-72SAT

S-3000/3062 ALUM. PROJECTED WDW. (L.M.I.)  
**SOL-A-TROL** ALUMINUM PRODUCTS  
4101 N.W. 132ND STREET  
MIAMI, FL. 33054  
TEL. (305) 681-2020 FAX. (305) 681-2035

no.	date	description	REV. PER	COMMENTS
A	06.12.09			

date: 08-01-08  
scale: 1/2" = 1"  
dr. by: HAMID  
chk. by:  
  
drawing no.  
**W08-72**  
sheet 11 of 11